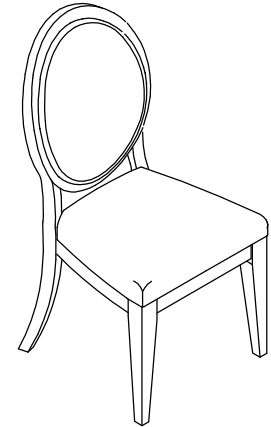


**Warning :**

- Be sure to check all packing material carefully for small parts, which may have come loose inside the carton during shipment.
- To prevent possible scratches and damage, this furniture must be assembled on a soft surface such as a blanket or carpet.

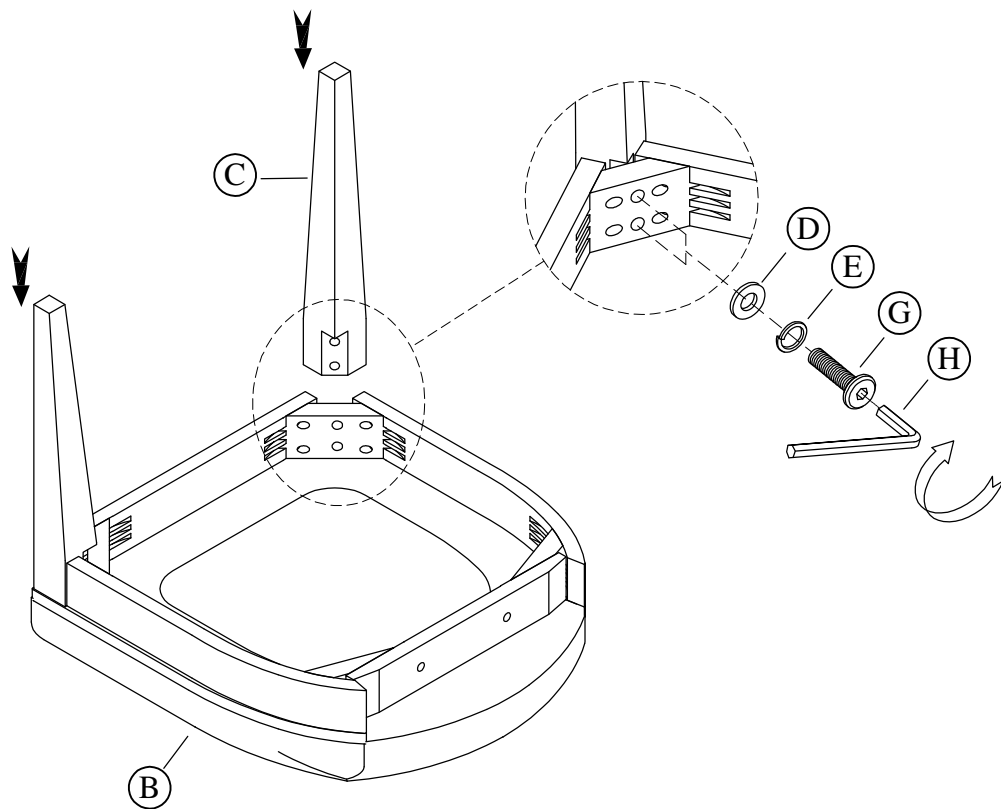


82558  
Oval Back Uph Side Chair 2in

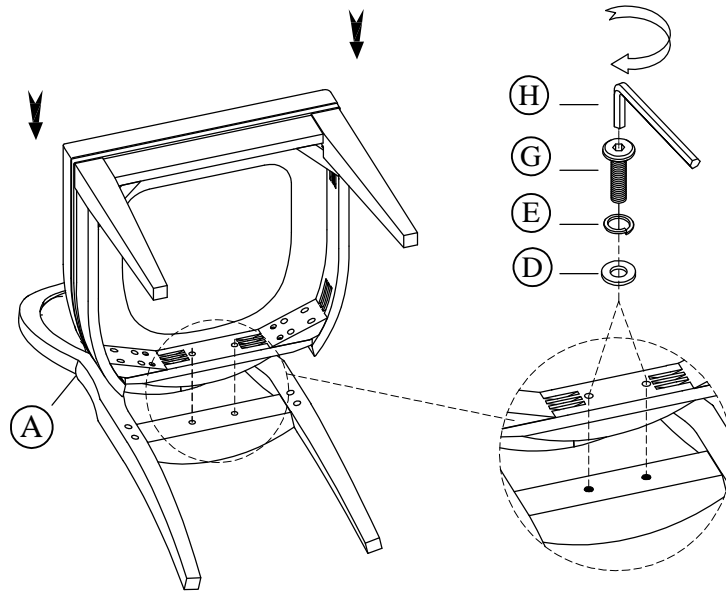
**Components and Hardware List**

<p>Chair Back <b>A</b> 1 pc.</p>	<p>Seat Frame <b>B</b> 1 pc.</p>	<p>Front Leg <b>C</b> 2 pcs.</p>	<p>Flat Washer Ø5/16" x 19*2mm <b>D</b> 10 pcs.</p>	<p>Spring Washer Ø5/16" <b>E</b> 10 pcs.</p>
<p>Allen Head Bolt Ø5/16"-18 x 3" <b>F</b> 4 pcs.</p>	<p>Allen Head Bolt Ø5/16"-18 x 2- 1/2" <b>G</b> 6 pcs.</p>	<p>Allen Key 5mm <b>H</b> 1 pc.</p>		

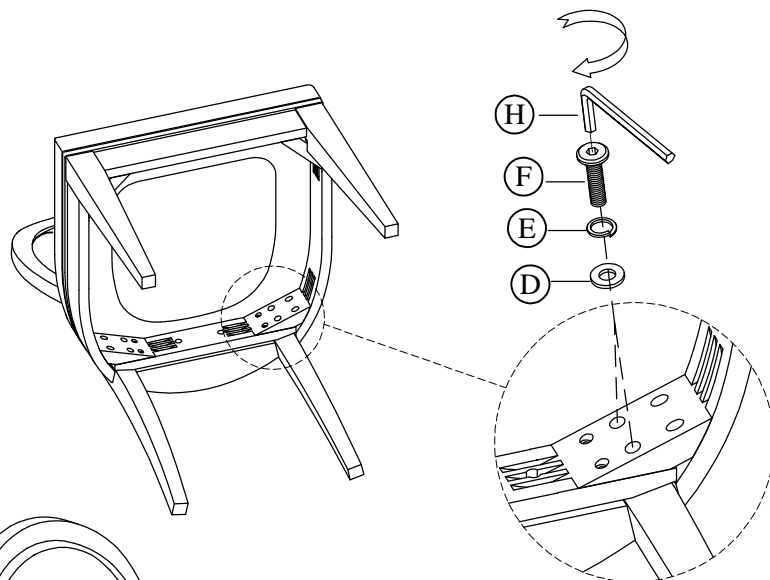
**STEP 1:**



STEP 2:



STEP 3:



Complete

